

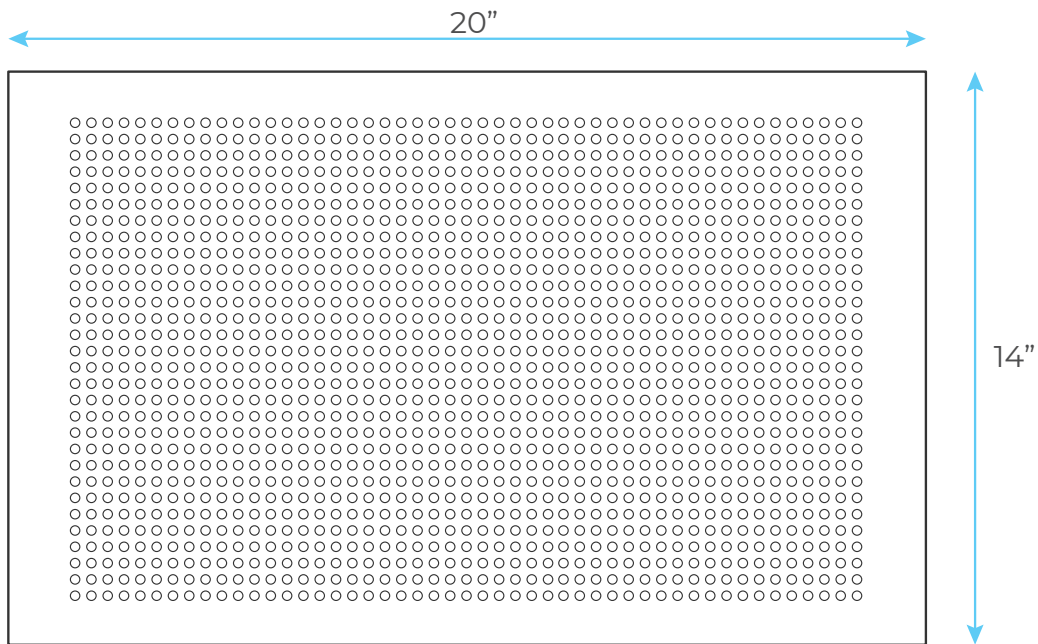
CHROME LED MIXER SHOWER HEAD WITH THERMOSTATIC MIXER SPECS



Specifications

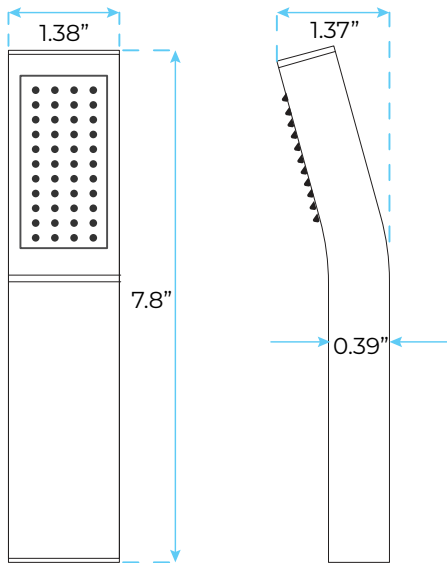
Installation Type: Ceiling Mount
Shower Head capability: powers LED light using built-in dynamo
LED Light Function: Light will dim and brighten depending on pressure.

Shower Head Size:



Flow Rate
2.5 GPM / 9.5 LPM (rain Shower)

Hand Shower Size:



The minimum required water pressure is 0.05 MPa (0.5 bar).
Flow rate 2.5 GPM (9.5 LPM).

Mixer Size :

